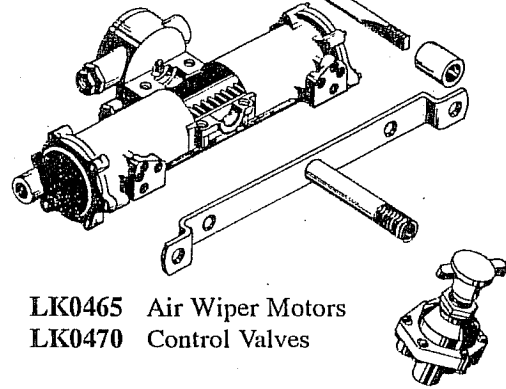


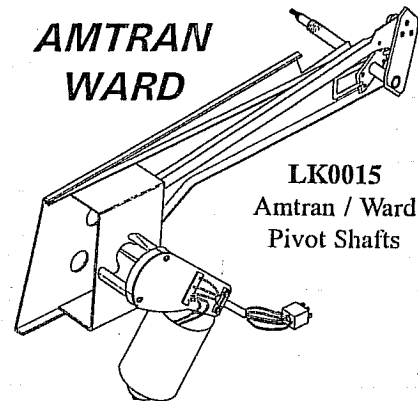
WIPER MOTORS & LINKAGE

AIR WIPER MOTORS



LK0465 Air Wiper Motors
LK0470 Control Valves

AMTRAN WARD



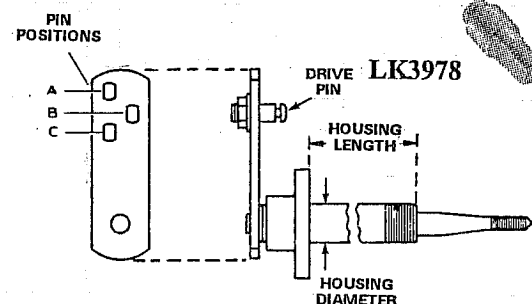
LK0015 Amtran / Ward Pivot Shafts

DRIVE ARMS

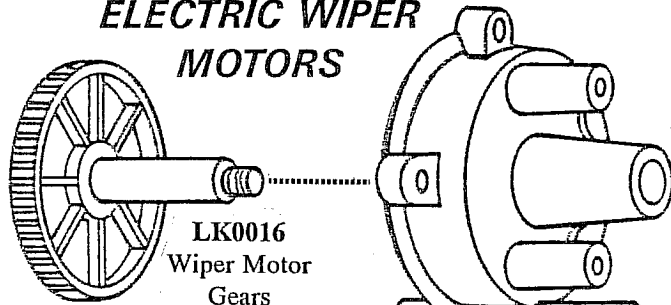
Size	Part No.
1"	LK9648
1-1/16"	LK1255
1-1/8"	LK3378
1-3/16"	LK1642
1-1/4"	LK1253
1-5/16"	LK1643
1-1/2"	LK1256
2-9/16"	LK1250
Adjustable (2-1/2" - 3-1/2")	LK2081

MEASURE CENTER OF DRIVE PIN TO CENTER OF SHAFT HOLE

PIVOT SHAFT ASSEMBLY MEASUREMENTS



ELECTRIC WIPER MOTORS



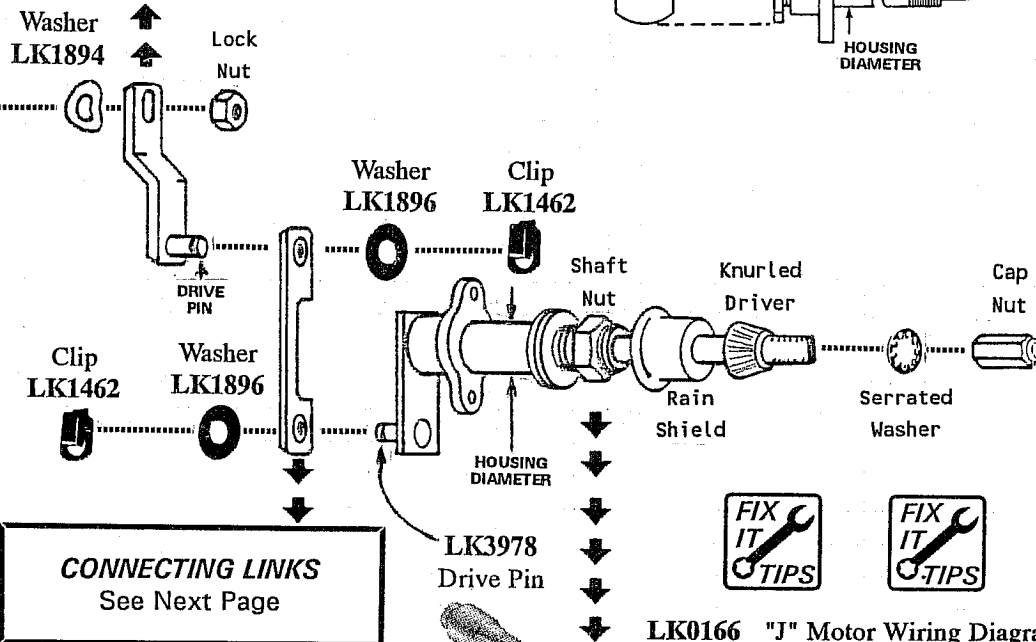
LK0016 Wiper Motor Gears

IMPORTANT NOTE

If your bus body is a 1972 model or older, please look at the part number stamped on the side of your wiper motor. If you see a "K" in your wiper motor number (example: WWC 12K 2798), PLEASE let us know. We must supply you with a new switch and a wiring diagram along with the new wiper motor you are ordering.

CAUTION

If your bus body is a 1972 model or older, please read the note at left.



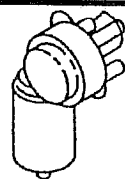
CONNECTING LINKS See Next Page



LK0166 "J" Motor Wiring Diagram

LK1890 Conversion Instructions

ELECTRIC WIPER MOTORS



LK1879	Blue Bird - Conventional
LK1882	Blue Bird - Mini-Bird
LK1885	Blue Bird - All American
LK1887	Blue Bird - TC-2000
LK1358	Carpenter - Cadet CV
LK1254	Carpenter - Conventional 1970 & Newer
LK1257	Carpenter - Conventional Driver Side 1969 & Older
LK1258	Carpenter - Conventional Door Side 1969 & Older
LK1881	Superior - Conventional
LK1888	Superior - Pacemaker
LK1884	Thomas - Conventional
LK1889	Thomas - Mighty-Mite
LK1886	Ward - Conventional
LK1891	Ward - Patriot
LK1883	Ward - Coachette
LK1880	Wayne - Conventional

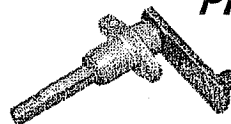
LK1627 Wiper Motor ("J" Type)

LK1632 Wire Set
LK0166 Wiring Diagram

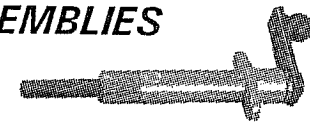
LK1890 Conversion Instructions

How To Convert From Obsolete "C" or "K" Motors to New Style "J" Motors

PIVOT SHAFT ASSEMBLIES



ID code is stamped on pivot shaft arm.



Part No.	ID Code	Housing Length	Housing Dia.	Knurled Driver Size	Drive Pin Dia.	Used On
LK1910	721200A	5/8"	11/16"	Large	5/16"	
LK1892	721204A	5/8"	5/8"	Small	5/16"	
LK4240	6282020	3/4"	5/8"	Large	3/8"	Carpenter
LK1457	721201A	1"	11/16"	Large	5/16"	B/B A/A
LK1893	721205A	1"	5/8"	Small	5/16"	
LK1461	721208A	1"	5/8"	Small	3/8"	Wayne
LK1241	721202A	2"	11/16"	Large	5/16"	Thomas
LK1459	721206A	2"	5/8"	Small	5/16"	Cadet CV
LK1456	721182A	2"	5/8"	Small	5/16"	Superior
LK1458	721203A	3"	11/16"	Large	5/16"	Blue Bird
LK1460	721207A	3"	5/8"	Small	5/16"	Thomas
LK1455	721180A	3"	5/8"	Small	5/16"	Ward
LK1912	721045A	3"	5/8"	Small	5/16"	
LK3514	S-3571	3"	11/16"	Large	5/8"	Ward

Additional CARPENTER Pivot Shaft Assemblies shown on next page.