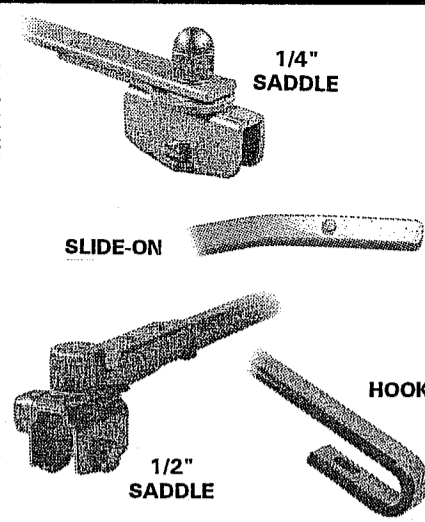
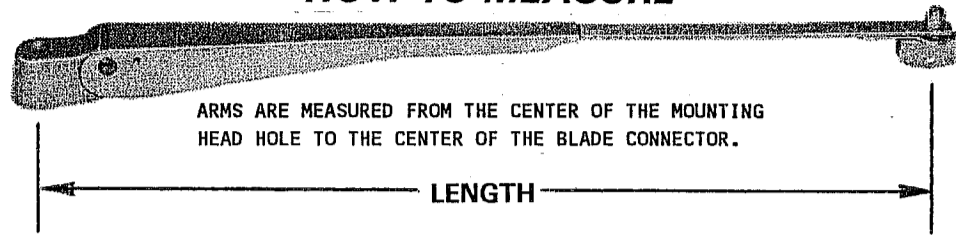


WIPER ARM APPLICATION CHART

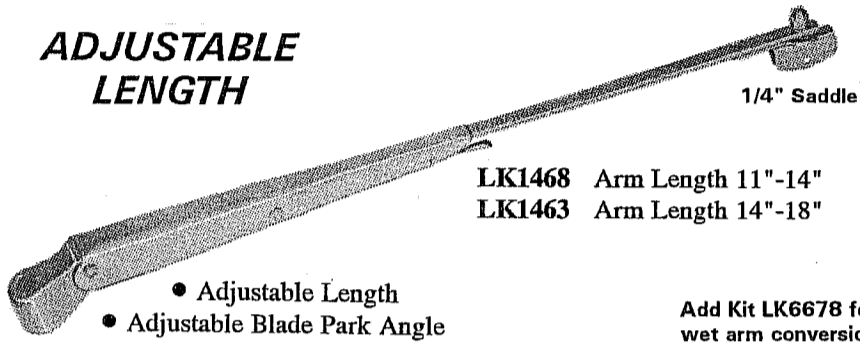
- LK0869 Amtran
- LK0872 Blue Bird
- LK0874 Carpenter
- LK0876 Thomas
- LK0869 Ward
- LK0879 Wayne

WIPER ARMS

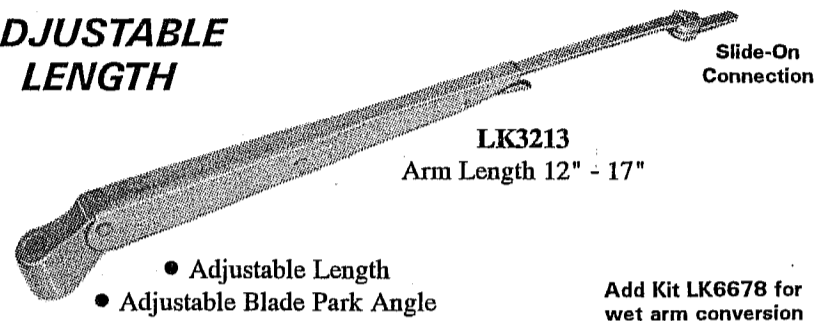
HOW TO MEASURE



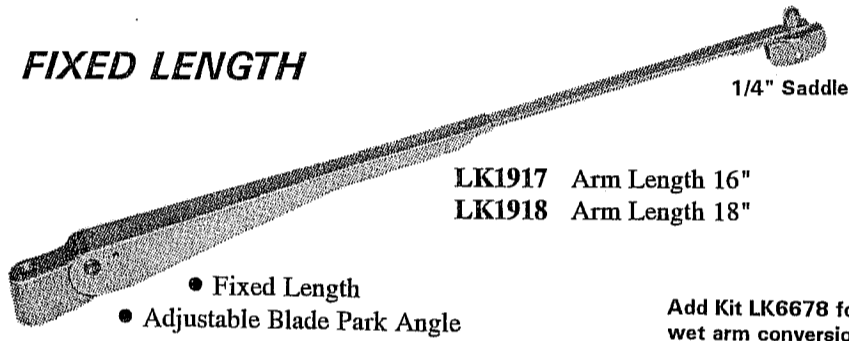
ADJUSTABLE LENGTH



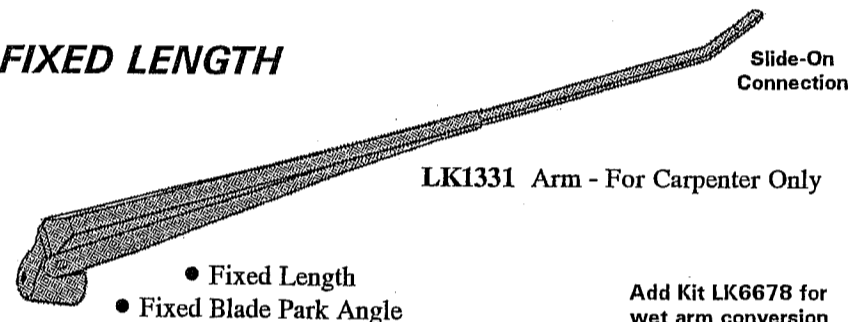
ADJUSTABLE LENGTH



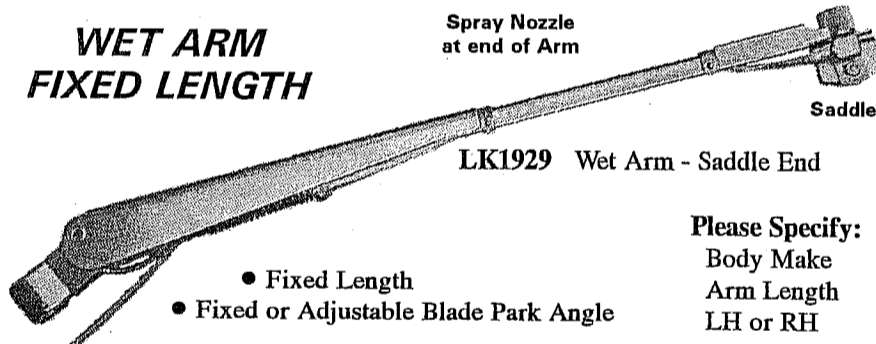
FIXED LENGTH



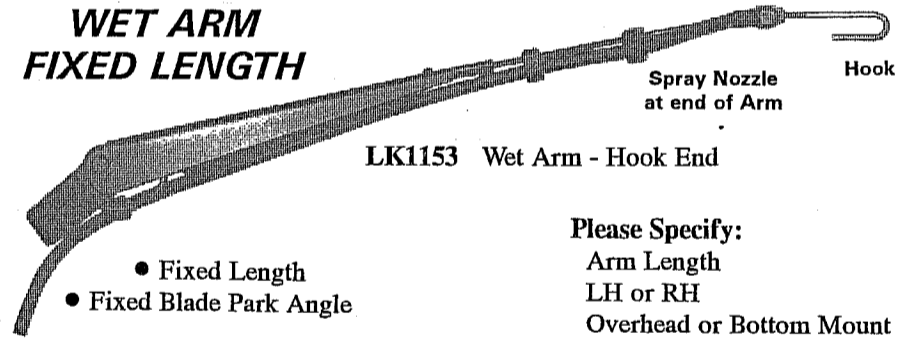
FIXED LENGTH



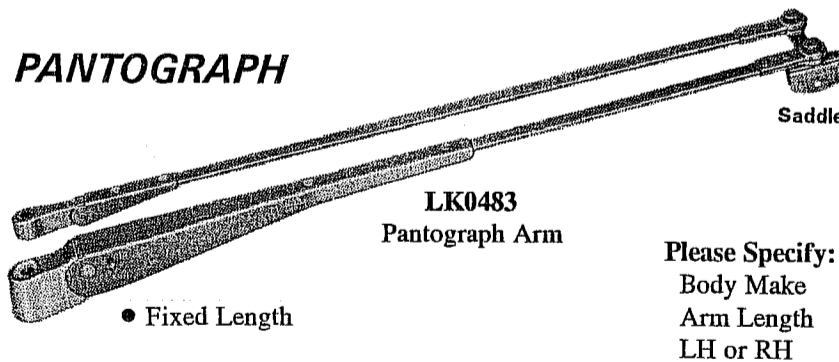
WET ARM FIXED LENGTH



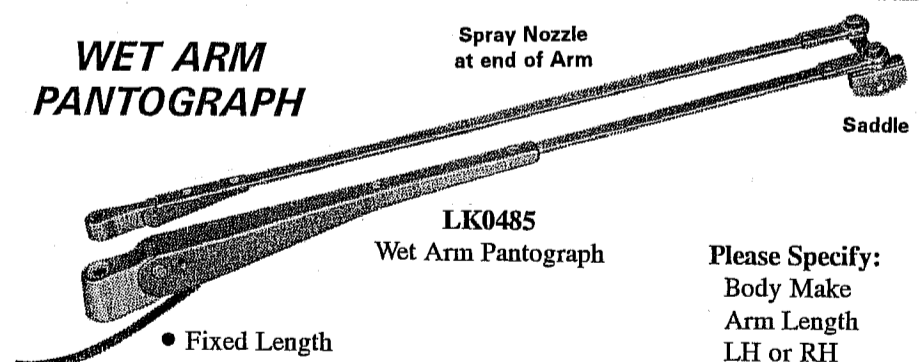
WET ARM FIXED LENGTH



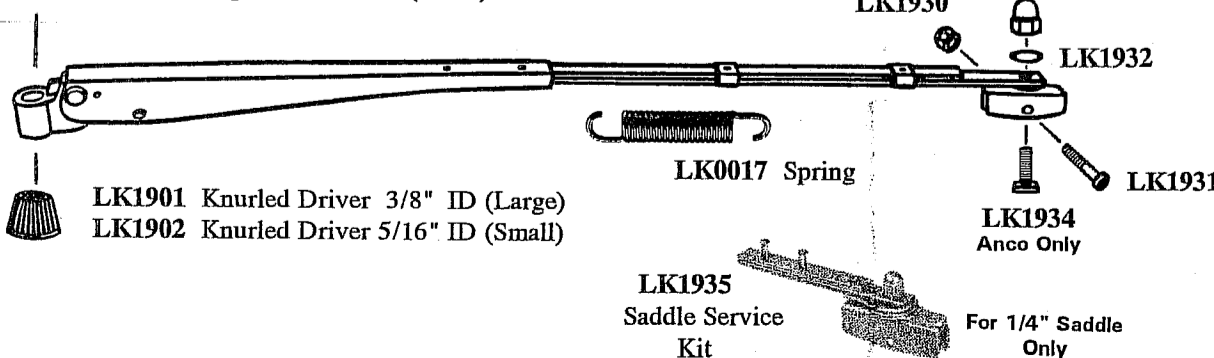
PANTOGRAPH



WET ARM PANTOGRAPH



- LK1906 Cap Nut 3/8" ID (Large)
- LK1905 Cap Nut 5/16" ID (Small)



- LK3221 Auxiliary Spring

