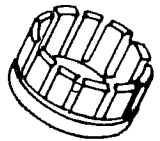
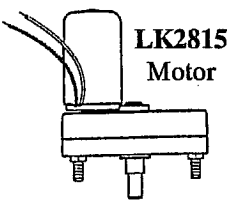


6 - SERIES STOP & CROSSING ARMS



LK2187
Plastic Clutch



LK2815
Motor

NOTE: 6-Series Crossing Arms
began production in about
September of 1998.

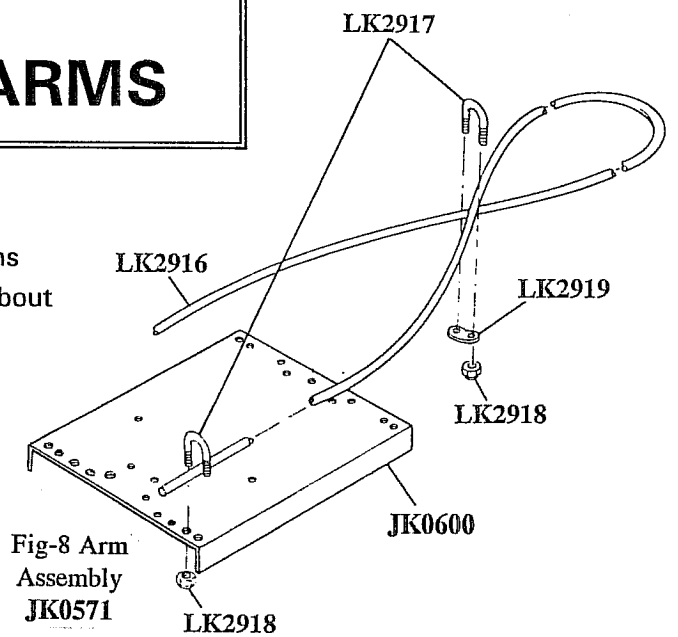
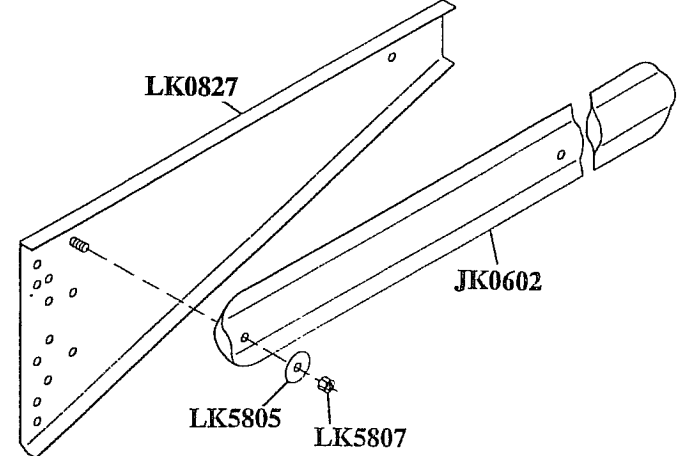
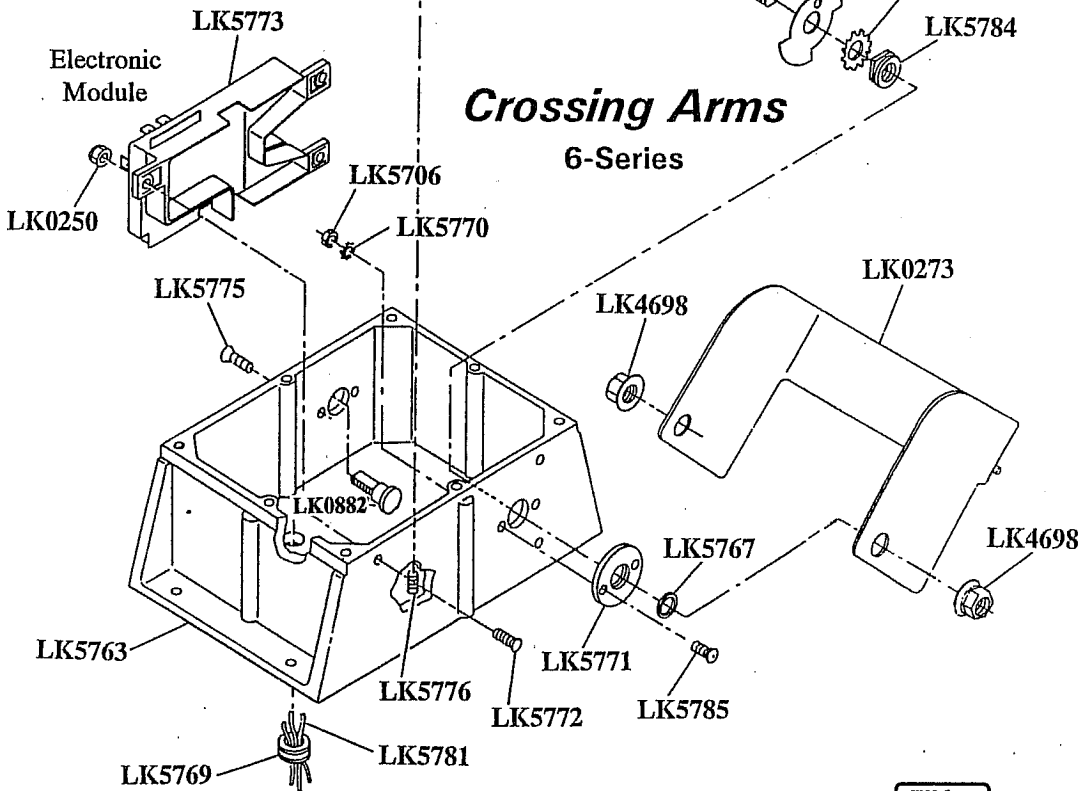
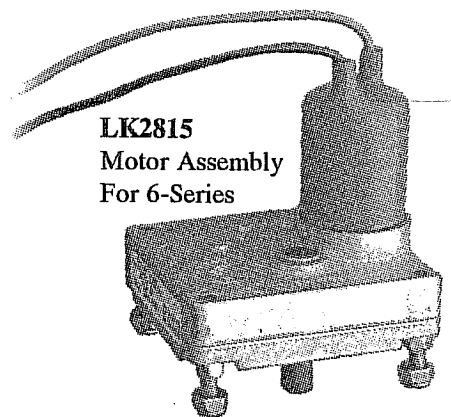


Fig-8 Arm
Assembly
JK0571

Crossing Arms 6-Series



Plastic Arm
Assembly
JK0572



LK2815
Motor Assembly
For 6-Series



6 - Series

LK6481 Wiring Diagrams
LK0677 Troubleshoot Instructions

NOTE: 6-Series Stop Arms
began production in about
January of 2000.

Stop Arms 6-Series

