



POWER STEERING GEARS

LK3939 Reman Gear - For FORD - 1980-87

LK3948 Reman Gear - For IHC - 1979-89

LK3937 Seal Kit - Master (HFB52)

LK8778 Seal - Stub Shaft Outer

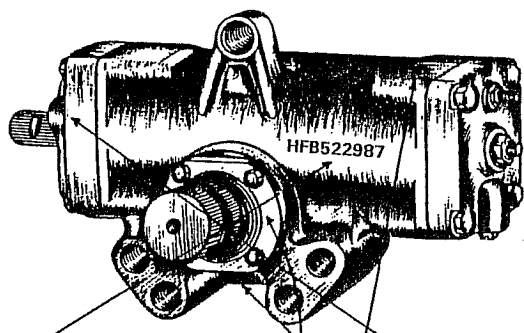
LK8796 Seal - Stub Shaft Inner

LK8828 Seal - Pitman Shaft Outer

LK8832 Seal - Pitman Shaft Inner

LK1853 Seal Kit - Pitman Inner & Outer

HOW TO IDENTIFY TRW/Ross HFB Series



STAMPED Numbers

Identify Part.

Numbers May Appear In Any of 4 Locations.

RAISED Casting Number Identifies **SERIES** Only, NOT Part Number.

If you are ordering a re-manufactured steering gear, please give us the following information:

1. Year Model of Bus
2. Chassis Make (FORD or IHC)
3. Passenger Capacity (47/48, 59/60, etc.)
4. Front GAWR (Listed on Chassis Serial No. Plate)
5. Raised Casting Number (HFB522987, etc.)
6. Stamped Part Number (HFB52013, etc.)

LK3942 Reman Gear - For FORD

LK3958 Reman Gear - For IHC - 1979-89

LK3941 Reman Gear - For BLUE BIRD TC-2000

LK3940 Seal Kit - Master (HFB64)

LK8830 Seal - Pitman Shaft (Output)

LK8796 Seal - Stub Shaft Inner

LK8778 Seal - Stub Shaft Outer



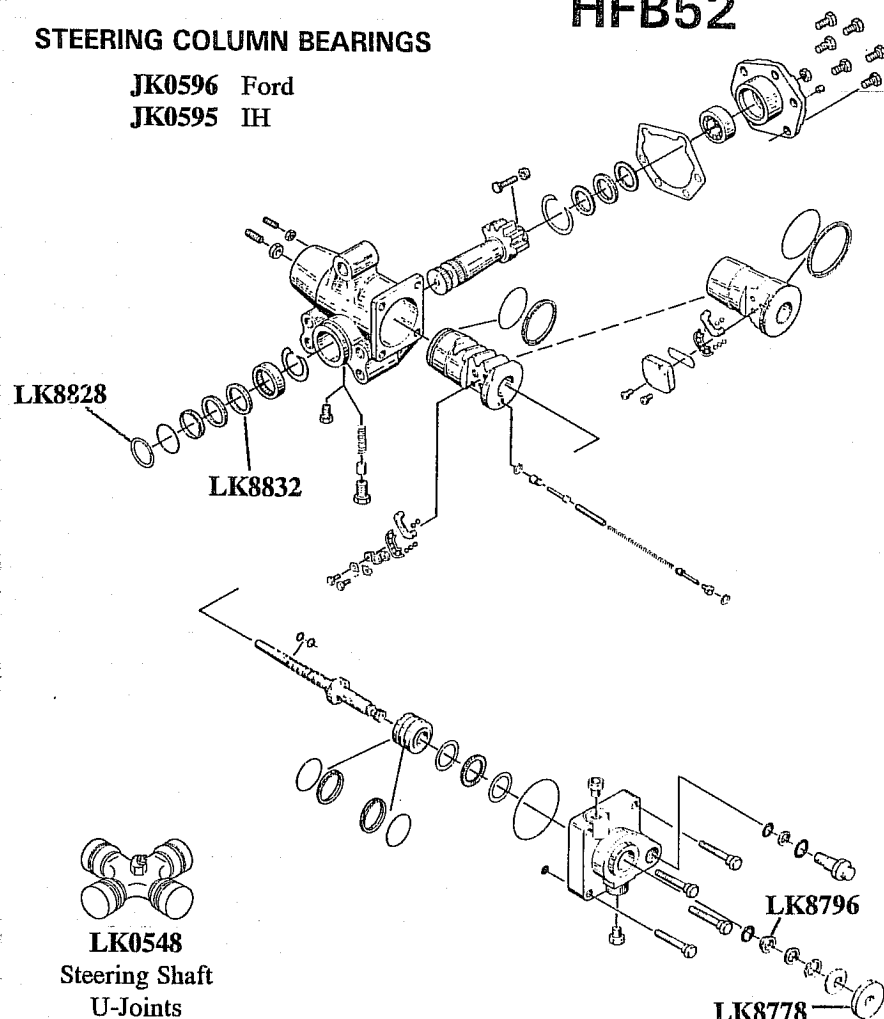
LK0548 Steering Shaft U-Joints

TRW/Ross HFB52

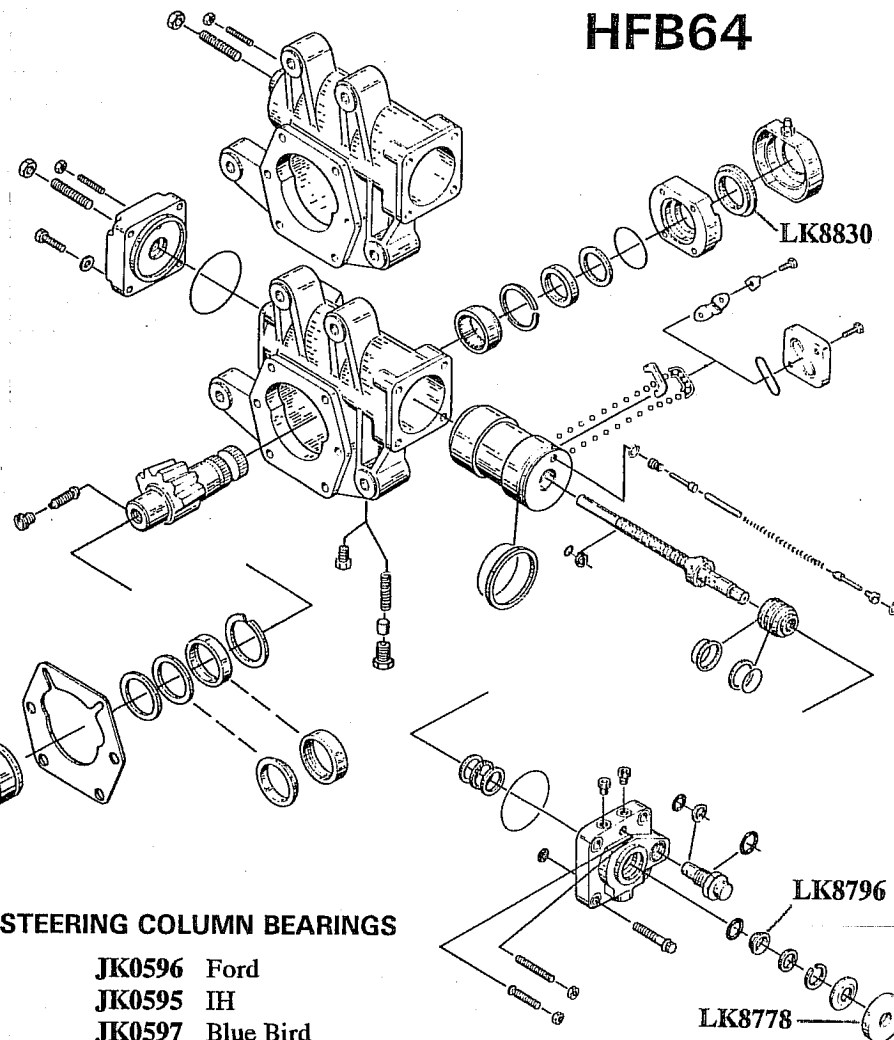
STEERING COLUMN BEARINGS

JK0596 Ford

JK0595 IH



TRW/Ross HFB64



STEERING COLUMN BEARINGS

JK0596 Ford

JK0595 IH

JK0597 Blue Bird