



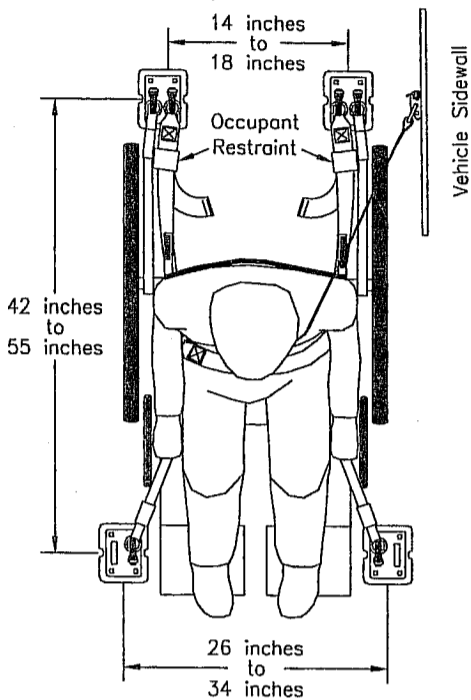
Evac-Aide
LK9696

RECOMMENDED TRACK INSTALLATION

Storage Bag
For Belts
LK1849



4-Corner Orientation Heavy Duty "A" Type Floor Plates

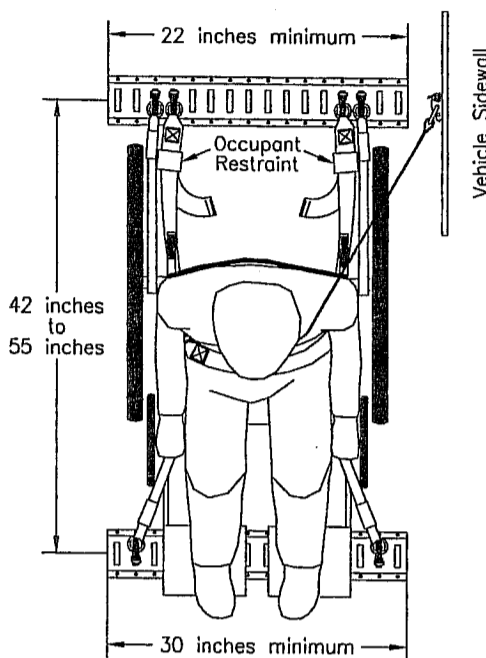


*Towards Front
of Bus*

Recommended Installation:

- Fastner at every corner of each floor plate
- Use Grade-5 fastners of 1/4" minimum size
- Use appropriate backup washers as needed to comply with local and/or Federal requirements

Widthwise Orientation Heavy Duty Horizontal "A" Track

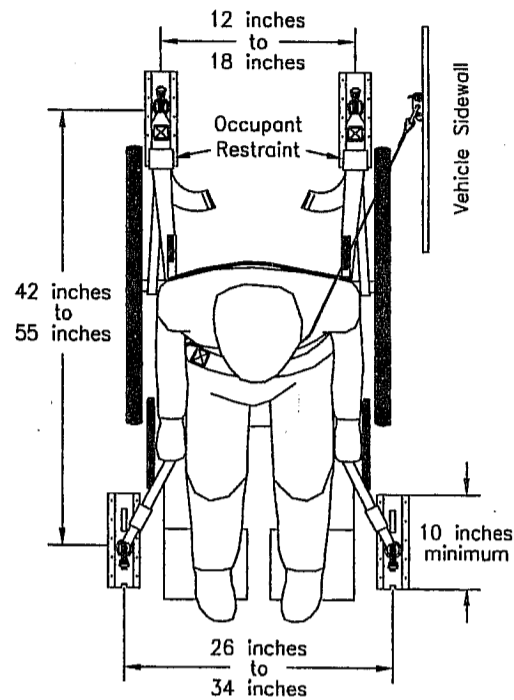


*Towards Front
of Bus*

Recommended Installation:

- Fastners at 4" intervals along each side of track
- Use Grade-5 fastners of 1/4" minimum size
- Use appropriate backup washers as needed to comply with local and/or Federal requirements

Lengthwise Orientation Heavy Duty Vertical "A" Track



*Towards Front
of Bus*

Recommended Installation:

- Fastners at 4" intervals along each side of track
- Use Grade-5 fastners of 1/4" minimum size
- Use appropriate backup washers as needed to comply with local and/or Federal requirements

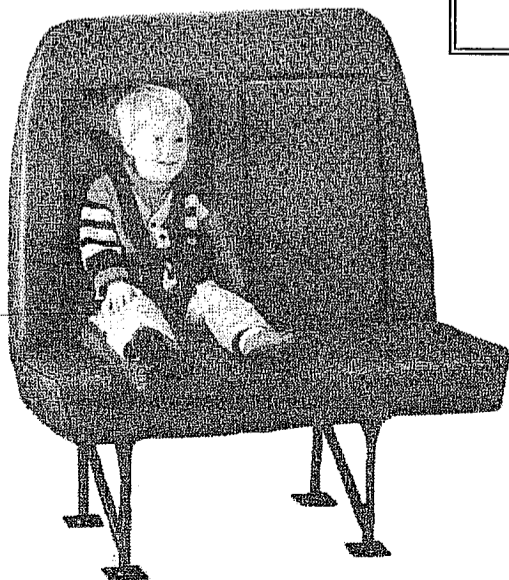
Note: The recommended installation, when properly done, will comply with 49 CFR Part 571.222 (FMVSS 222) for School Bus Passenger Seating and Crash Protection and 30 mph/20g requirements. These recommendations are not all inclusive and may not cover every system installation. Each Wheelchair Tie-Down and Occupant Restraint System shall be carefully reviewed and tested by the installer to provide maximum protection for the end user. Refer to applicable ADA, CSA, FMVSS, ISO, SAE and vehicle manufacturers standards for additional information.

LK1575 39" Convertible Seat

LK1576 30" Convertible Seat

CHILD RESTRAINT SCHOOL BUS SEAT

- Easy To Install
- Meets All Safety Standards



- Head Start / Kindergarten age children (20-50 lbs.) are too small to sit in a standard school bus seat.
- This seat features fold-down sections with restraints for pre-school kids.
- Infant car seats for babies up to 18-months or small children up to 50 lbs. ride securely on the fold-down sections.
- It's easy for adults to operate, and can convert to a standard school bus seat in a matter of seconds.

