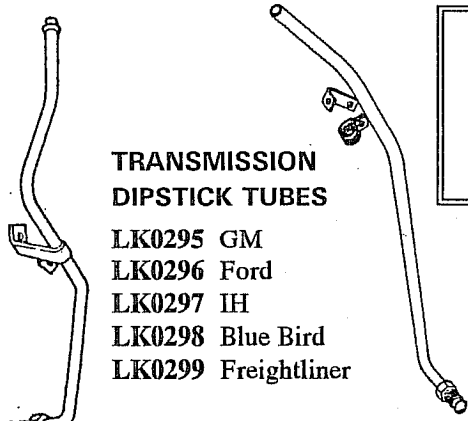


AUTOMATIC TRANSMISSION PARTS

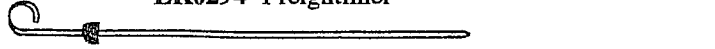
TRANSMISSION DIPSTICK TUBES

- LK0295 GM
- LK0296 Ford
- LK0297 IH
- LK0298 Blue Bird
- LK0299 Freightliner

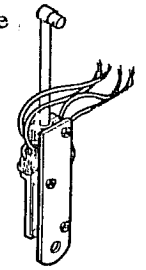


TRANSMISSION DIPSTICKS

- LK0289 GM
- LK0290 Ford
- LK0291 IH
- LK0293 Blue Bird
- LK0294 Freightliner

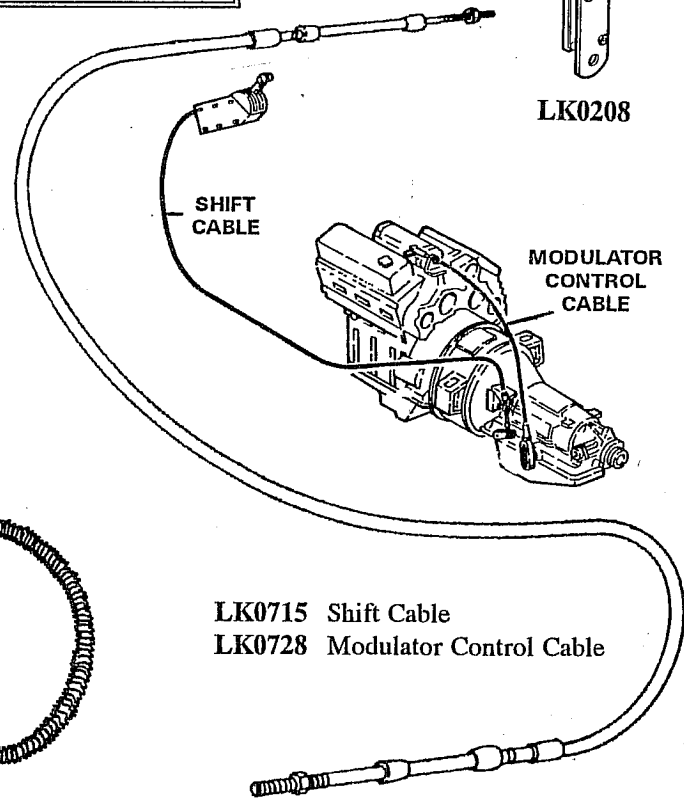


Neutral & Reverse Safety Switch (Shift Lever Mounted)



LK0208

SHIFT CABLE

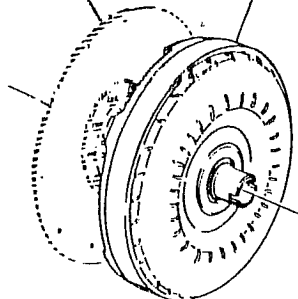


LK0715 Shift Cable
LK0728 Modulator Control Cable

MODULATOR CONTROL CABLE

Flex Plate
LK0044

TORQUE CONVERTER

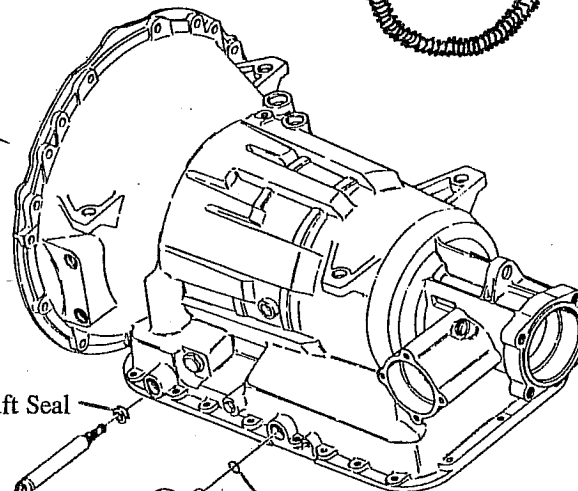


LK8560 Front Seal

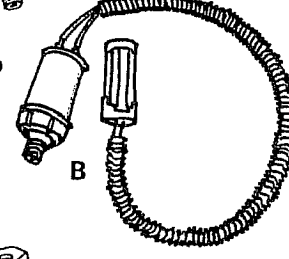
LK8564 Pump Bushing

LK8562 Pump O-Ring

PUMP HOUSING

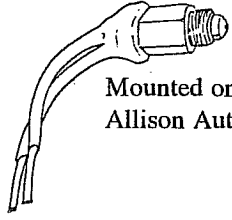


LK0654 Back-Up Lamp Switch



LK4599

Neutral Safety Switch

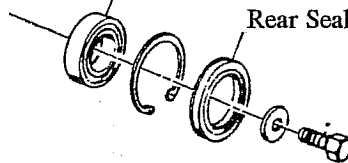


Mounted on side of Allison Automatics

LK8576 Selector Shaft Seal

LK8579 Rear Bearing

LK8574 Rear Seal



LK8578 O-Ring Seal

LK8520 Vacuum Modulator

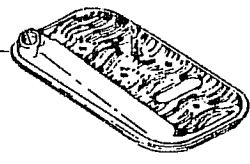


OLD STYLE

NEW STYLE

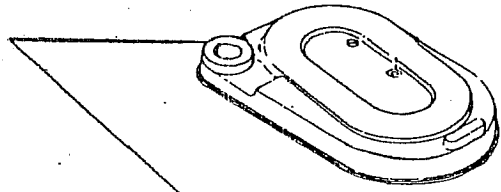
Smaller Filter Used With AT-540 & Shallow Pan

LK8566 Filter Kit

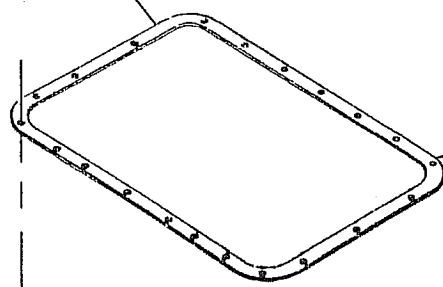


LK8561 Filter Kit

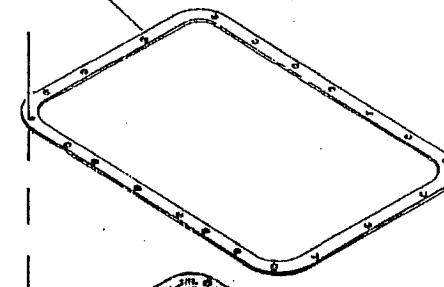
Large Filter Used With AT-545 & Deep Pan



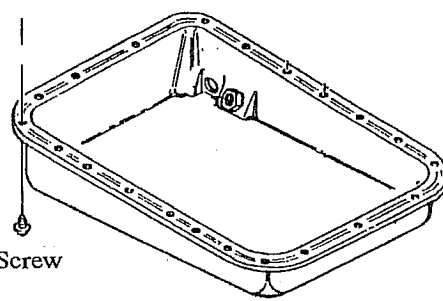
LK8572 Gasket Only



LK8572 Gasket Only

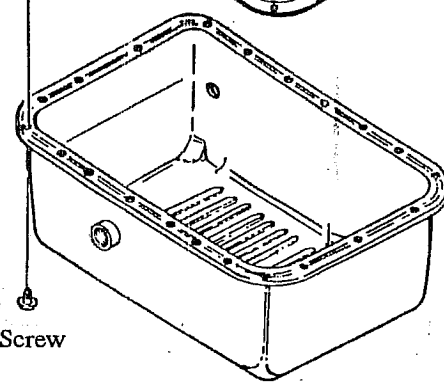


LK8569 Oil Pan Screw



Shallow Pan Used With AT-540

LK8569 Oil Pan Screw



Deep Pan Used With AT-545

Copyright © 1993 by Southern Bus & Truck Parts
All Rights Reserved